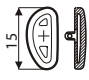
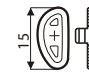
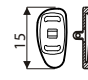


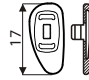
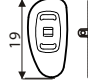
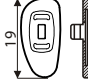

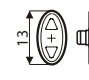

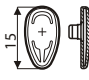



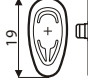



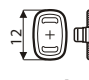


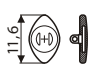
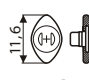

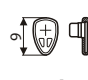
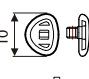
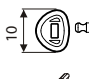
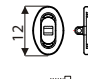

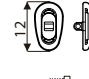

SILICONE NOSE PADS

CLASSIC PADS

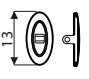
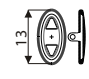
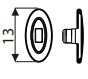

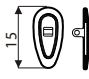
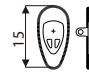
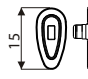
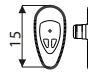

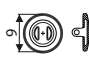
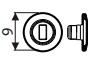
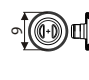
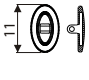
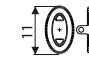
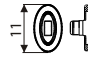
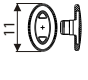
left + right

<p>B-834</p>  <p>thickness 2.7 mm</p>	<p>B-835</p>  <p>thickness 2.7 mm</p>	<p>B-2364</p>  <p>thickness 2.7 mm</p>	<p>B-2365</p>  <p>thickness 2.7 mm</p>	<p>B-2494</p>  <p>thickness 2.2 mm</p>	<p>B-2495</p>  <p>thickness 2.2 mm</p>	<p>B-2492</p>  <p>thickness 2.3 mm</p>	<p>B-2493</p>  <p>thickness 2.3 mm</p>
symmetrical							
<p>B-408</p>  <p>thickness 2.0 mm</p>	<p>B-407</p>  <p>thickness 2.0 mm</p>	<p>B-446</p>  <p>thickness 2.2 mm</p>	<p>B-461</p>  <p>thickness 2.2 mm</p>	<p>B-428</p>  <p>thickness 2.3 mm</p>	<p>B-429</p>  <p>thickness 2.3 mm</p>	<p>B-222</p>  <p>thickness 2.3 mm</p>	<p>B-221</p>  <p>thickness 2.3 mm</p>

MODERN PADS

<p>B-1730</p>  <p>thickness 2.0 mm</p>	<p>B-1731</p>  <p>thickness 2.0 mm</p>	<p>B-352</p>  <p>thickness 1.8 mm</p>	<p>B-353</p>  <p>thickness 1.8 mm</p>	<p>B-336</p>  <p>thickness 1.8 mm</p>	<p>B-337</p>  <p>thickness 1.8 mm</p>	<p>B-326</p>  <p>thickness 1.7 mm</p>	<p>B-327</p>  <p>thickness 1.7 mm</p>
<p>B-792</p>  <p>thickness 2.0 mm</p>	<p>B-793</p>  <p>thickness 2.0 mm</p>	<p>B-2320/2</p>  <p>thickness 1.8 mm</p>	<p>B-2319/2</p>  <p>thickness 1.8 mm</p>	<p>B-2464/2</p>  <p>thickness 1.8 mm</p>	<p>B-2465/2</p>  <p>thickness 1.8 mm</p>		

ULTRA SLIM PADS

<p>B-1886</p>  <p>thickness 1.5 mm</p>	<p>B-1886/1</p>  <p>thickness 1.5 mm</p>	<p>B-1887</p>  <p>thickness 1.5 mm</p>	<p>B-1887/1</p>  <p>thickness 1.5 mm</p>	<p>B-1936</p>  <p>thickness 1.5 mm</p>	<p>B-1936/1</p>  <p>thickness 1.5 mm</p>	<p>B-1937</p>  <p>thickness 1.5 mm</p>	<p>B-1937/1</p>  <p>thickness 1.5 mm</p>
<p>B-1938</p>  <p>thickness 1.5 mm</p>	<p>B-1938/1</p>  <p>thickness 1.5 mm</p>	<p>B-1939</p>  <p>thickness 1.5 mm</p>	<p>B-1939/1</p>  <p>thickness 1.5 mm</p>	<p>B-1944</p>  <p>thickness 1.5 mm</p>	<p>B-1944/1</p>  <p>thickness 1.5 mm</p>	<p>B-1945</p>  <p>thickness 1.5 mm</p>	<p>B-1945/1</p>  <p>thickness 1.5 mm</p>

SILICONE NOSE PADS

ROUND PADS

<p>B-950</p> <p>thickness 2.2 mm</p>	<p>B-951</p> <p>thickness 2.2 mm</p>	<p>B-714</p> <p>thickness 2.1 mm</p>	<p>B-714/1</p> <p>thickness 2.1 mm</p>	<p>B-715</p> <p>thickness 2.1 mm</p>	<p>B-715/1</p> <p>thickness 2.1 mm</p>	<p>B-1756</p> <p>thickness 1.7 mm</p>	<p>B-1757</p> <p>thickness 1.7 mm</p>
---	---	---	---	---	---	--	--

MONO PADS

<p>B-944</p> <p>thickness 1.75 mm</p>	<p>B-944/1</p> <p>thickness 1.75 mm</p>	<p>B-1725</p> <p>thickness 1.3 mm</p>	<p>B-2318</p> <p>thickness 1.8 mm</p>	<p>B-2337</p> <p>thickness 1.4 mm</p>	<p>B-2337/1</p> <p>thickness 1.0 mm</p>	<p>B-2553</p> <p>thickness 1.4 mm</p>	
--	--	--	--	--	--	--	--

PLUG ON PADS

<p>B-255/1</p> <p>thickness 3,0 mm</p>	<p>B-591</p> <p>thickness 4 mm</p>	<p>B-840</p> <p>thickness 3,6 mm</p>	
---	---	---	--

AIR GEL PADS

<p>B-2348</p> <p>thickness 2,0 mm</p>	<p>B-2347</p> <p>thickness 2,0 mm</p>
--	--

CLIP ON PADS

<p>B-2420</p> <p>thickness 1,5 mm</p>	<p>B-2420/1</p> <p>thickness 1,5 mm</p>
--	--